

# ADC AD-444

## 45-lb x 2 Capacity OPL Dryer

### Standard Features:

- 45-lb. x 2 capacity
- 14.6 cu. ft. volume
- 106,000 Btu/hr heat input, 530 cfm airflow per pocket
- Partial axial airflow
- Steel door with gasketless glass
- Two 8" diameter top exhaust connections
- Optional single 10" exhaust connection
- 1/2" gas connection per pocket
- Fits through a standard 36" door
- Available in gas heat
- Available in gray and white front and cabinet

OPL



AD-444 OPL Stack Dryer

### Why Purchase ADC AD-444?



#### Engineer-Driven Design That is Built to Last

Our dryers showcase ADC's engineer-driven approach to design. Bearings are permanently lubricated on the motor and drive system. There are no chains used at ADC; rather, we use V-belts and pulleys that simplify serviceability and ensure smooth, quiet, and trouble-free operation. Our dryer cabinets are electrostatically powder-painted inside and out, then baked at 420-degrees fahrenheit before final assembly—ensuring the hardest surface and the longest-lasting finish in the industry.

#### Rugged Steel Door with Gasketless Door Glass

Our dryer doors are one solid piece of steel with gasketless glass. This eliminates the issue of glass falling out due to wear and tear on rubber gaskets that some manufacturers use to secure their glass. The security and durability that gasketless glass provides is essential to a successful laundromat operation.

#### More for Less

The AD-444 incorporates all the state-of-the-art design features from the leader in stack dryer design—with simple controls, an easy-to-read LED screen and a large, lightweight lint drawer that is accessible and easy-to-clean—only requiring cleaning once a day. Its fine stainless steel lint screen is standard. Available for coin or card-ready, the AD-444 gives you all the benefits of ADC quality engineering at a low cost.

Your local ADC independent authorized distributor



# ADC AD-444

## AD-444 Specifications

Tumbler Capacity (dry weight)	45 lbs. (20.41 kg) x 2	
Tumbler Diameter	32-3/4" (83.19 cm)	
Tumbler Depth	30" (76.20 cm)	
Tumbler Volume	14.6 cu ft (413.43 L)	
Tumbler/Drive Motor	3/4 hp (0.56 kW)	
Blower/Fan Motor	N/A	
Door Opening (Diameter)	27" (68.58 cm)	
Door Sill Height	top pocket	50-1/4" (127.64 cm)
	bottom pocket	10-1/4" (26.04 cm)
Dryers per 20'/40' Container	8 / 16	
Dryers per 48'/53' Truck	25 / 27	
Width	34-5/16" (87.15 cm)	
Depth	53-3/16" (135.02 cm)	
Height	80-15/16" (205.6 cm)	
Airflow	60 Hz	530 cfm (15 cmm)
	50 Hz	442 cfm (12.52 cmm)
Exhaust Connection	8" (20.32 cm) Standard x2 10" (25.4 cm) Optional x1	
GAS MODEL:	Voltage Available	120-240v 1ø, 2w
	Approx. Net Wt.	905 lbs (410.5 kg)
	Approx. Ship Wt.	940 lbs (426.4 kg)
	Heat Input (per pocket)	106,000 btu/hr (26,712 kcal/hr)
	Inlet Pipe Connection (per pocket)	1/2" F.N.P.T.

Specifications in parentheses are metric equivalents.

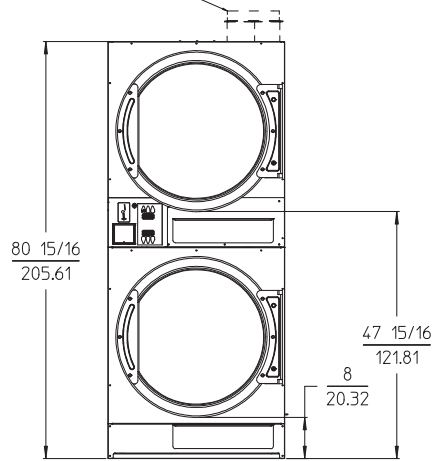
9/10/15

Electrical Specs listed are per pocket.

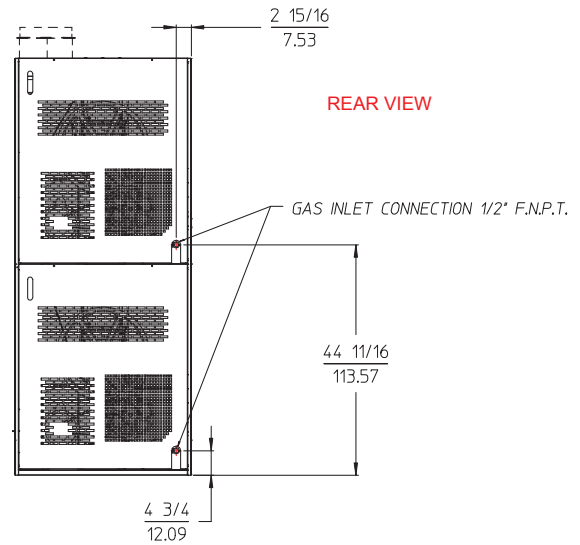
## Electrical Service Specifications

SERVICE VOLTAGE	PHASE	WIRE SERVICE	GAS		CIRCUIT BREAKER
			APPROX AMP DRAW		
			60 Hz	50 Hz	
120	1ø	2	12.0	--	15
208	1ø	2	7.0	--	15
220	1ø	2	6.8	--	15
240	1ø	2	6.5	--	15

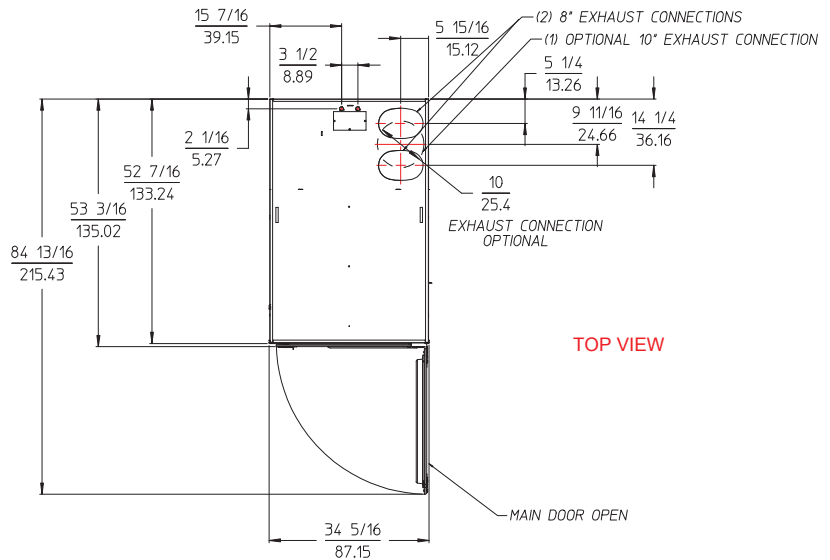
OPTIONAL 10" EXHAUST CONNECTION FRONT VIEW



REAR VIEW



TOP VIEW



451061 Rev. 10/16

88 Currant Road Fall River, MA 02720-4781 • 508.678.9000

www.adclaundry.com