

AD-30x2Ri

30-lb Capacity Coin Stack Dryer

Standard Features:

- 20% more efficiency
- Fast drying times
- Two-point roller system
- Stainless steel fronts standard
- Stainless steel basket standard
- Trans-axial airflow
- Single-phase reversing basket
- Available in gas only
- Phase-7 micro-controls

Optional Features:

- Optimal double-pane door glass
- S.A.F.E. (Sensor Activated Fire Extinguishing System)



AD-30x2Ri Coin Stack Dryer

Why Purchase AD-30x2Ri?

Performance

The achievement: Through innovative design, the i-Series dryers achieve higher performance, industry-leading efficiency, shorter dry times and safer, more reliable operation. What an owner wants, an owner gets: saving money on utilities and maintenance. Anyone can say their dryers have the best performance. The Intelligent Dryer Series has the features to prove it.

Reliability

Demanding owners require more than just outstanding performance for their toughest laundry environments. To accommodate owners, we designed the i-Series with years of reliable operation as an absolute design necessity. A sturdy steel-welded cabinet, fewer moving parts and top-quality components are the foundation of the line. Costly repairs and unwanted downtime are now a thing of the past.

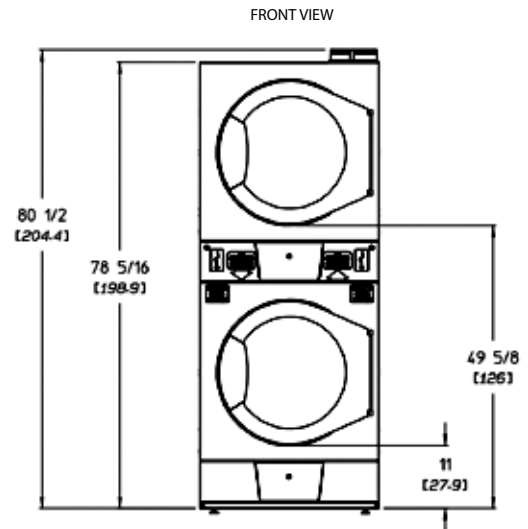
Your local ADC independent authorized distributor



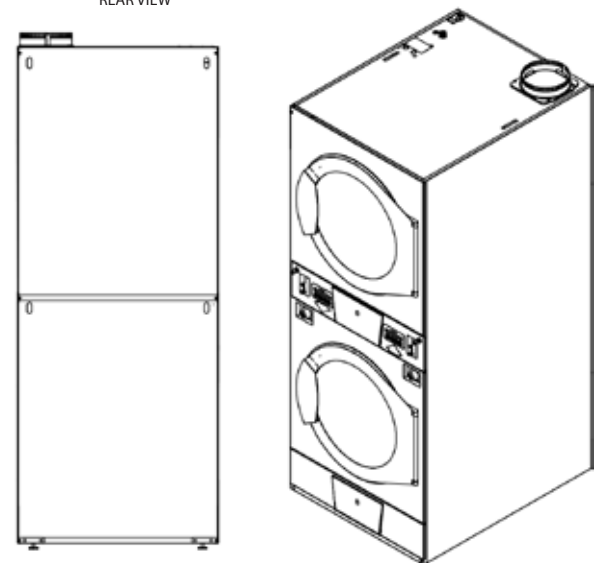
www.adclaundry.com

AD-30x2Ri

AD-30x2Ri Specifications				
Maximum Capacity (dry weight) Per Pocket	30 lb	13.6 kg		
Tumbler Diameter	30"	76.2 cm		
Tumbler Depth	27"	68.5 cm		
Tumbler Volume Per Pocket	11 cu ft	311.5 L		
Tumbler/Drive Motor Per Pocket	1/4 hp	0.19 kW		
Blower/Fan Motor Per Pocket	1/2 hp	0.37 kW		
Door Opening (diameter)	21-1/2"	54.6 cm		
Door Sill Height Top Pocket/Bottom Pocket	51-3/4" / 13-1/8"	131.4 cm / 33.3 cm		
Dryers Per 20'/40' Container	14/ 28			
Dryers Per 48'/53' Truck	36 / 42			
Gas Model	Voltage Available	120-240V	1ø 2w 50/60 Hz	
	Approximate Net Weight	520 lb	236 kg	
	Approximate Shipping Weight	550 lb	249 kg	
	Airflow Per Pocket	60 Hz	450 cfm	12.74 cmm
		50 Hz	375 cfm	10.6 cmm
	Heat Input Per Pocket	72,000 Btu/hr	18,144 kcal/hr	
	Exhaust Connection (diameter) Per Dryer	8"	20.3 cm	
Inlet Pipe Connection Per Dryer	1/2" M.N.P.T.			
	1/2" B.S.P.T. (CE and Australia Only)			

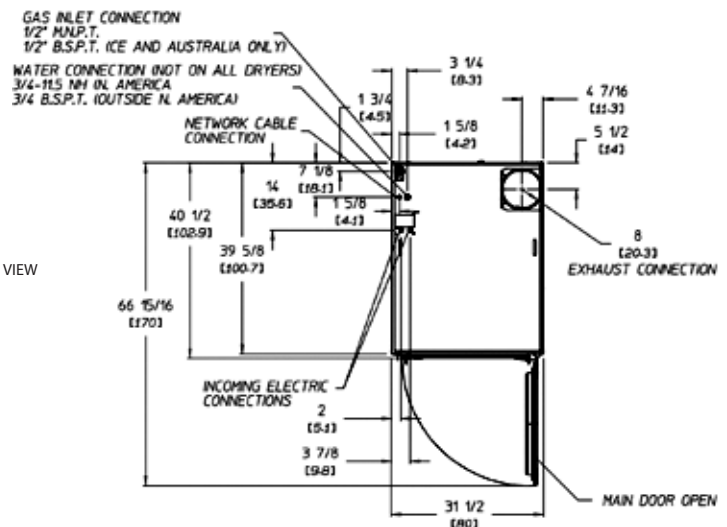


REAR VIEW



Electrical Service Specifications							
GAS HEAT							
SERVICE VOLTAGE	PHASE	WIRE SERVICE	TOTAL AMPS		BREAKER SIZE		WIRE
			60 Hz	50 Hz	60 Hz	50 Hz	
120	1ø	2	14.2	--	20	--	12
120*	1ø	2	7.1	--	15 (2)	--	14
200	1ø	2	6.5	--	15	--	14
220	1ø	2	5.1	--	15	--	14
230	1ø	2	4.8	--	15	--	14
240	1ø	3	4.8	--	15	--	14
200	1ø	3	--	6	--	15	14
220	1ø	3	--	4.6	--	15	14

TOP VIEW



QY160043 1/17

88 Carrant Road, Fall River, MA 02720-4781 • 508.678.9000